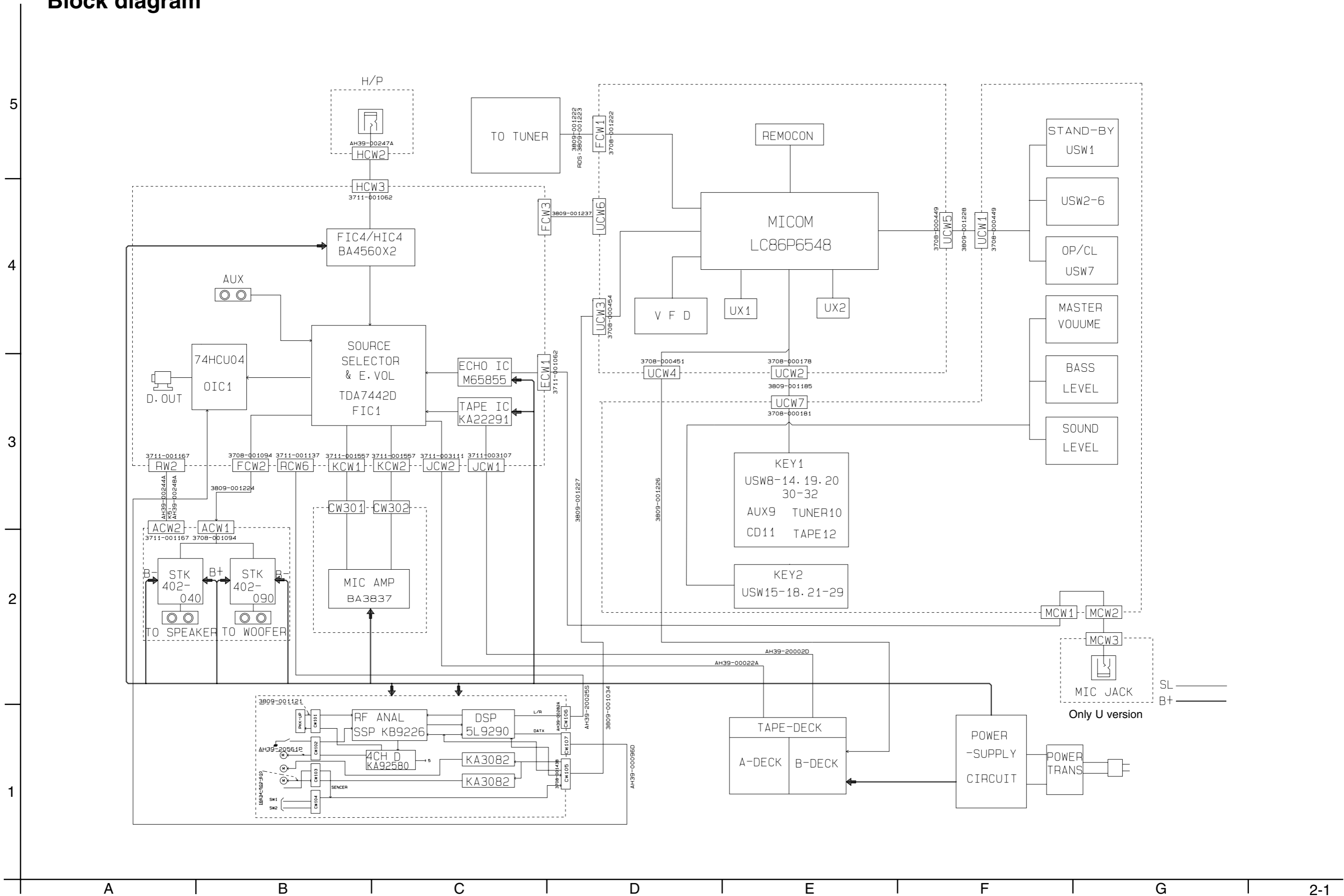


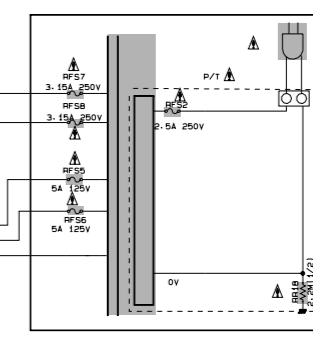
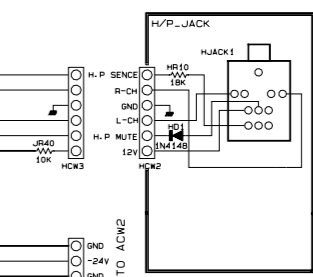
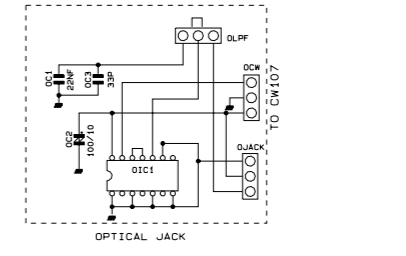
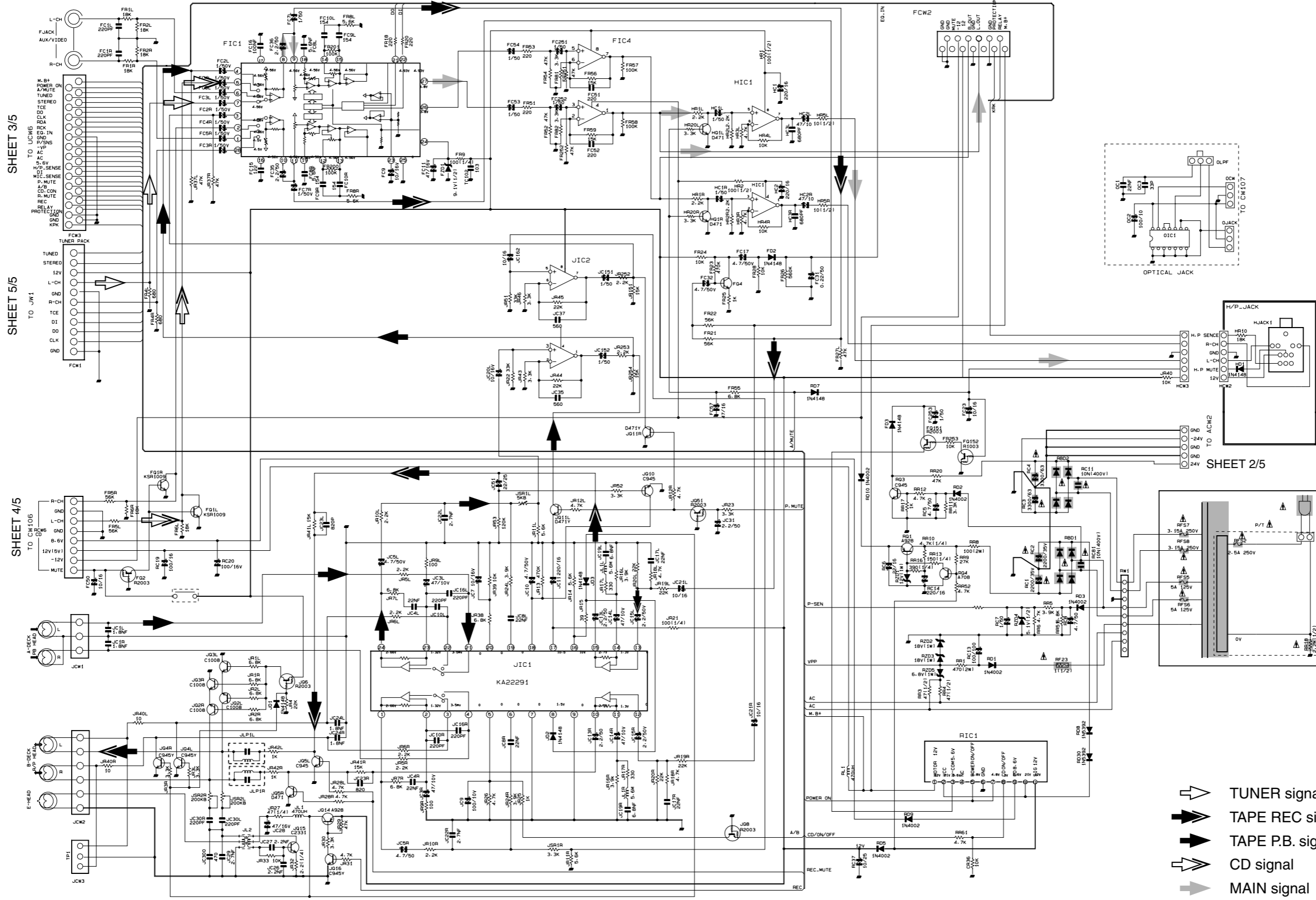
Block diagram



Standard schematic diagrams

Main section

SHEET 2/5



- TUNER signal
- TAPE REC signal
- TAPE P.B. signal
- CD signal
- MAIN signal

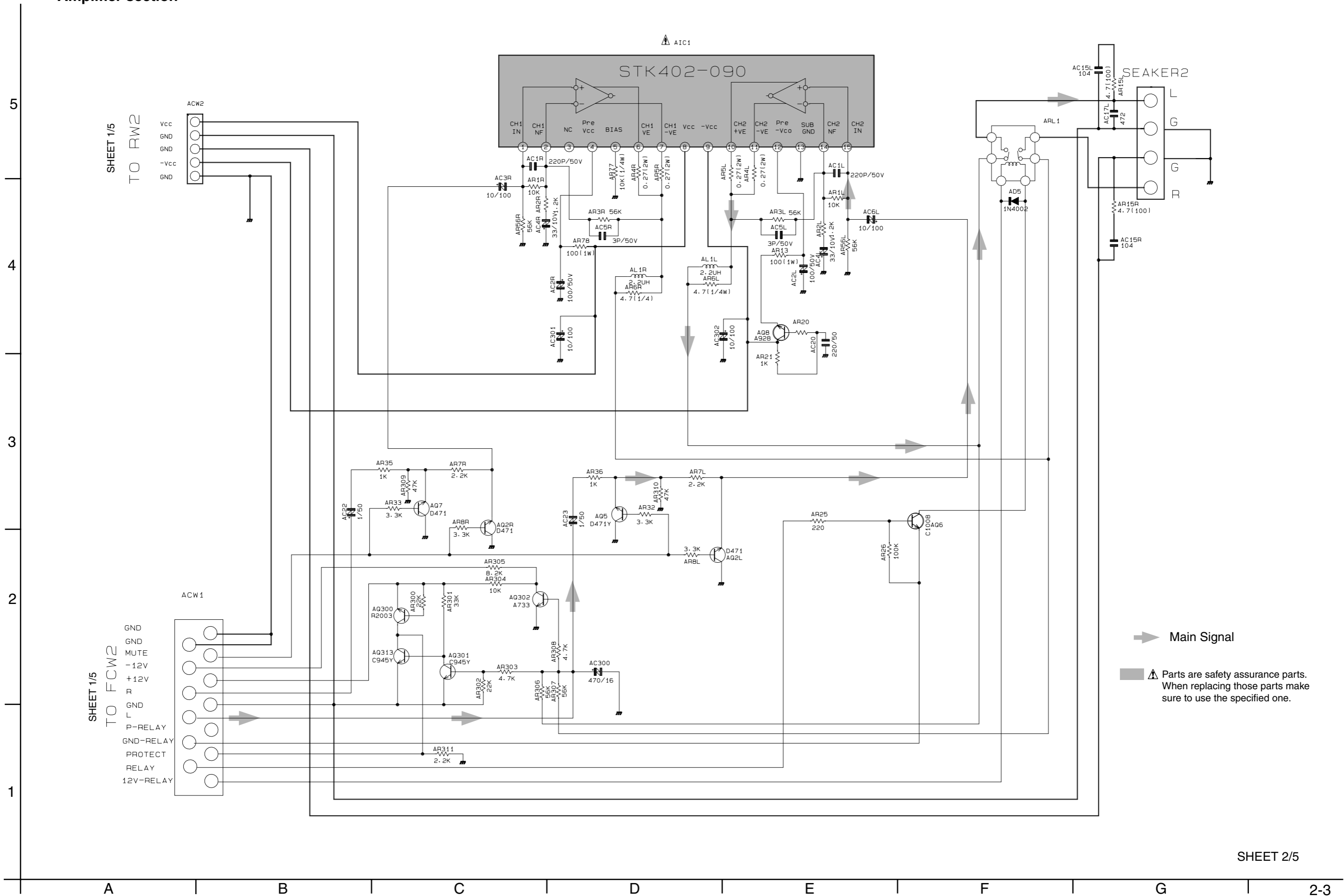
Parts are safety assurance parts. When replacing those parts make sure to use the specified one.

SHEET 1/5

5
4
3
2
1

A B C 2-2 D E F G H

Amplifier section



➔ Main Signal

⚠ Parts are safety assurance parts. When replacing those parts make sure to use the specified one.

SHEET 1/5
TO RW2

SHEET 1/5
TO FCW2

CD section

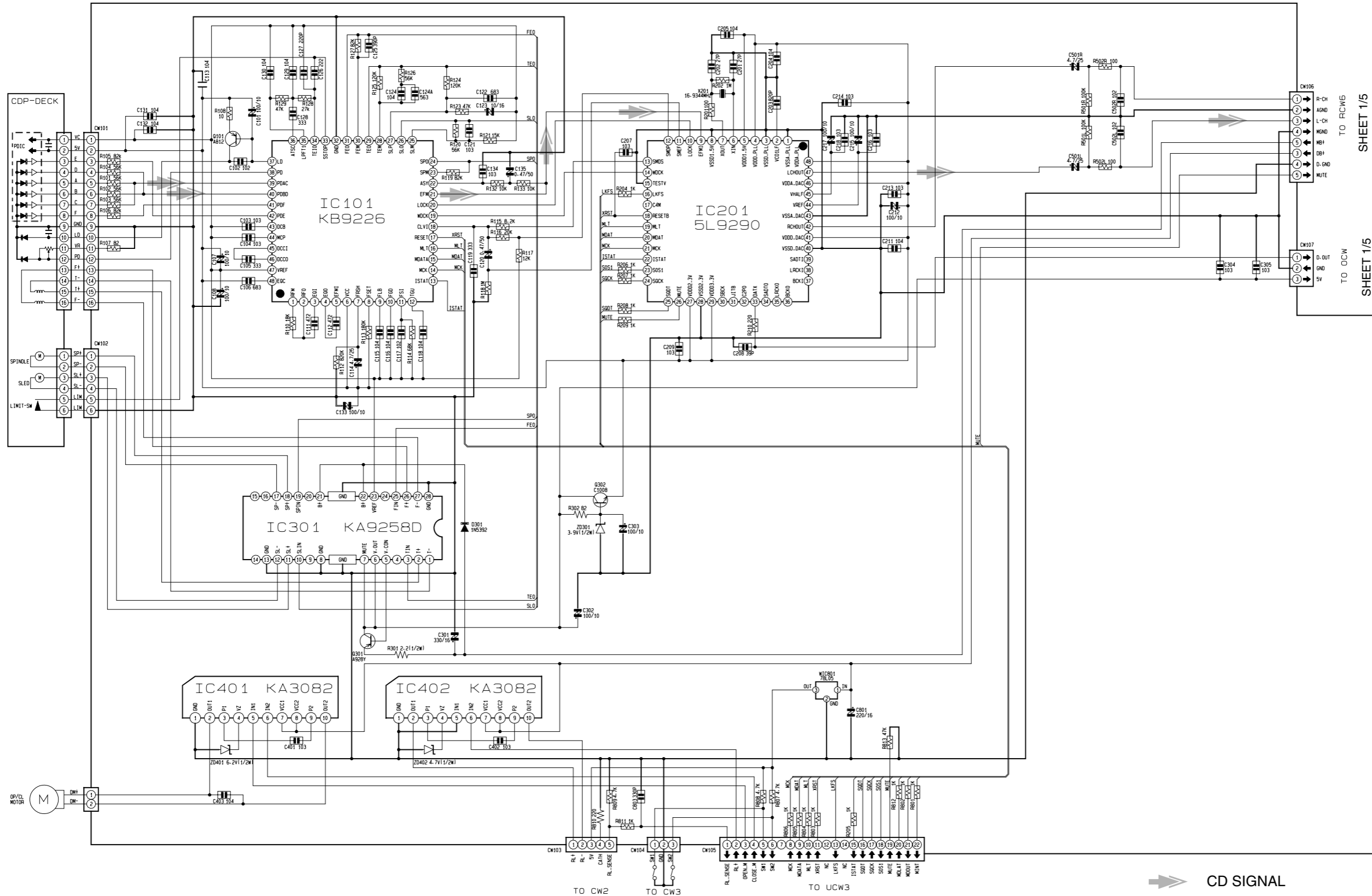
5

4

3

2

1



TO RCWS
SHEET 1/5

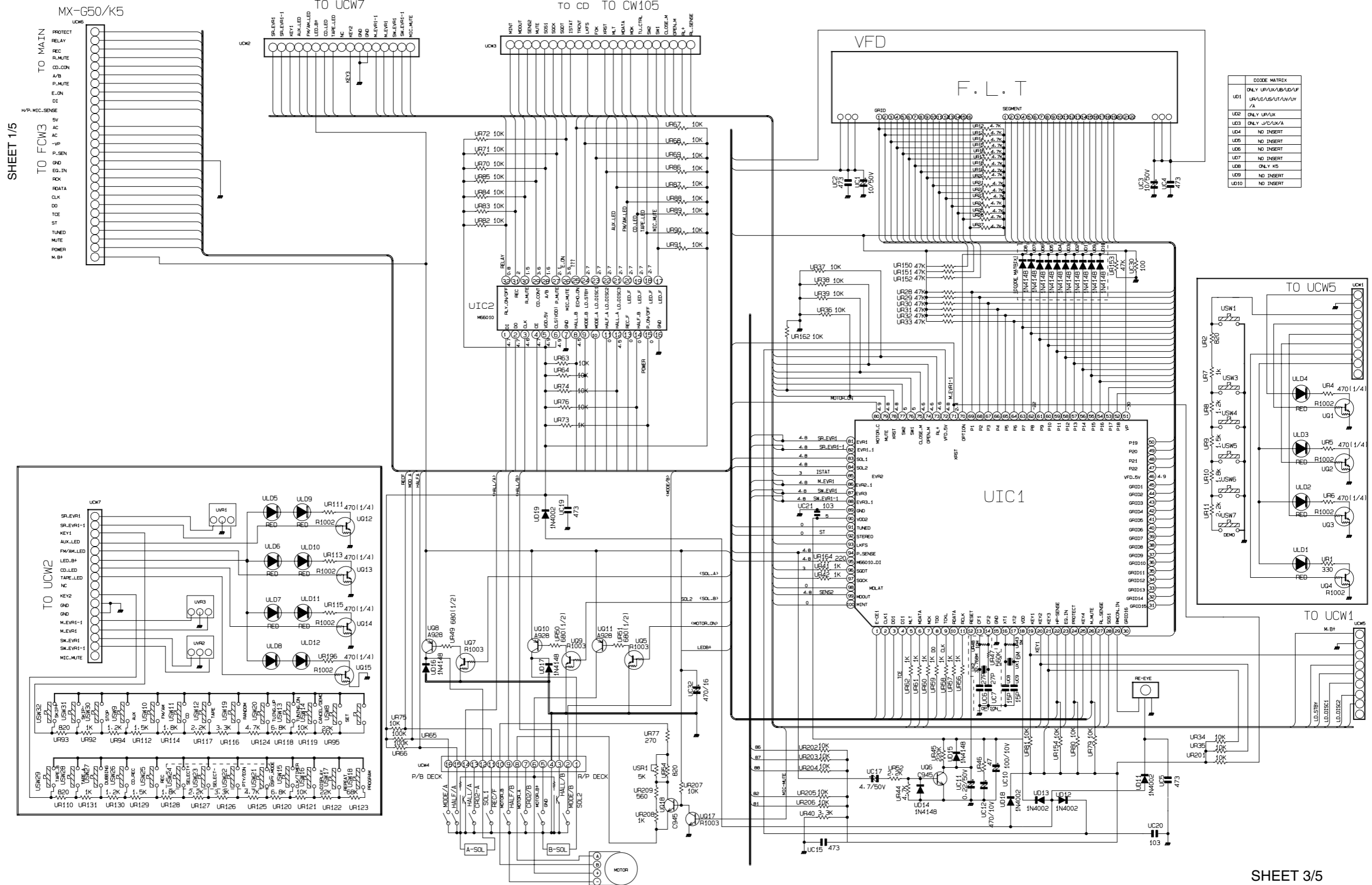
TO OCW
SHEET 1/5

CD SIGNAL

■ Front section

SHEET 4/5

TO UC7 TO CD TO CW105



SHEET 3/5

SHEET 1/5

5

4

3

2

1

A

B

C

D

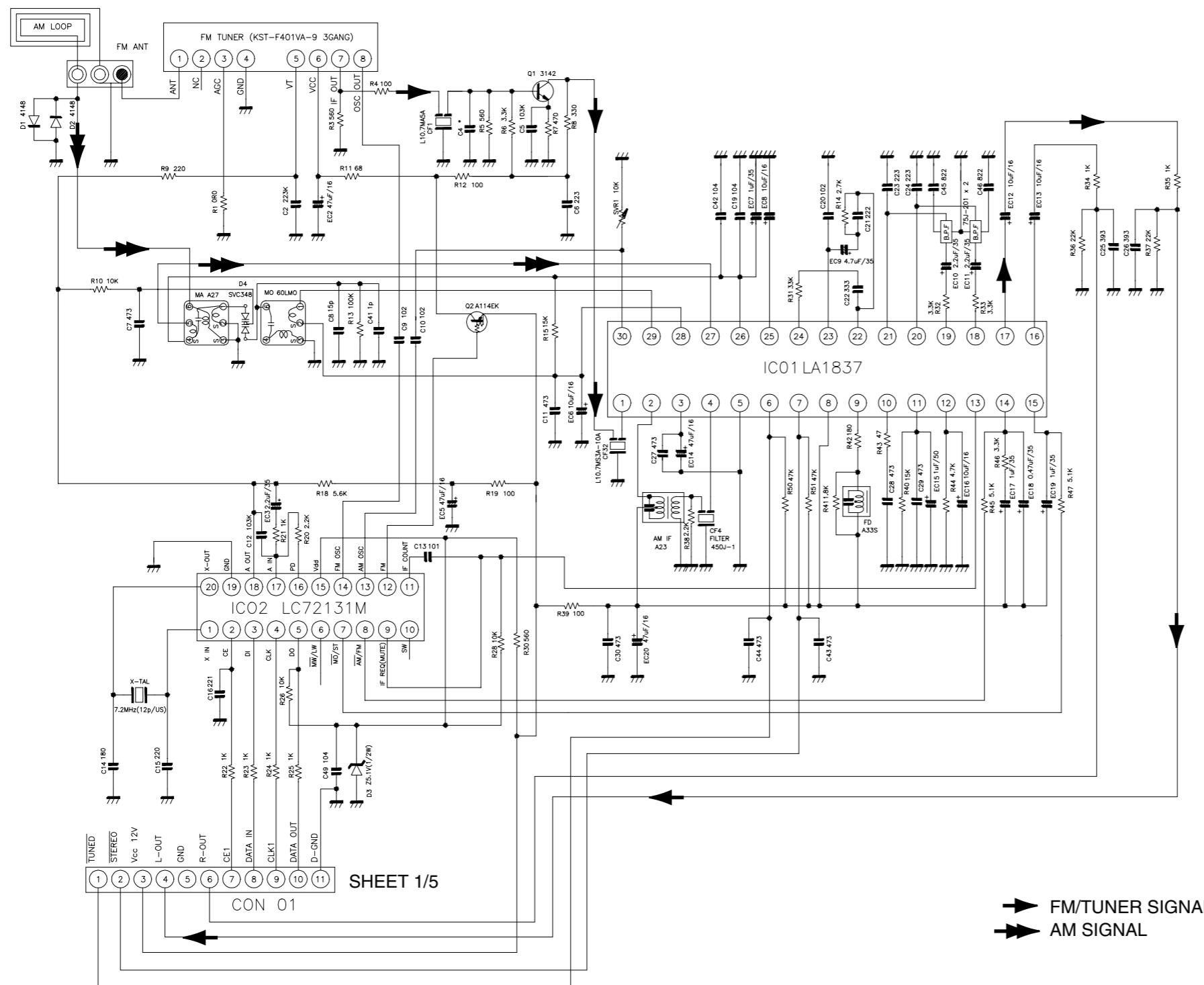
E

F

G

2-5

■ Tuner section



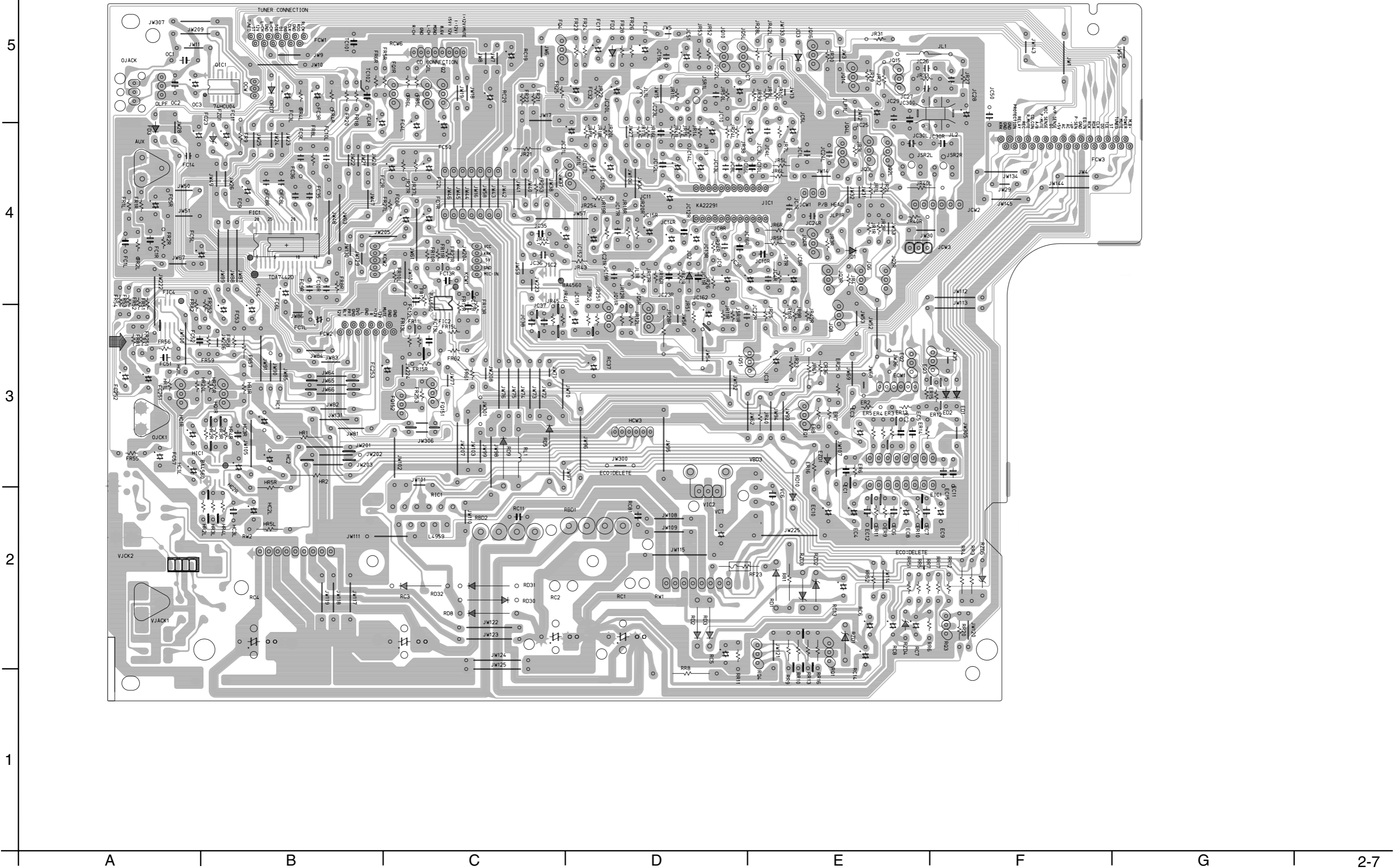
➔ FM/TUNER SIGNAL
➔➔ AM SIGNAL

5
4
3
2
1

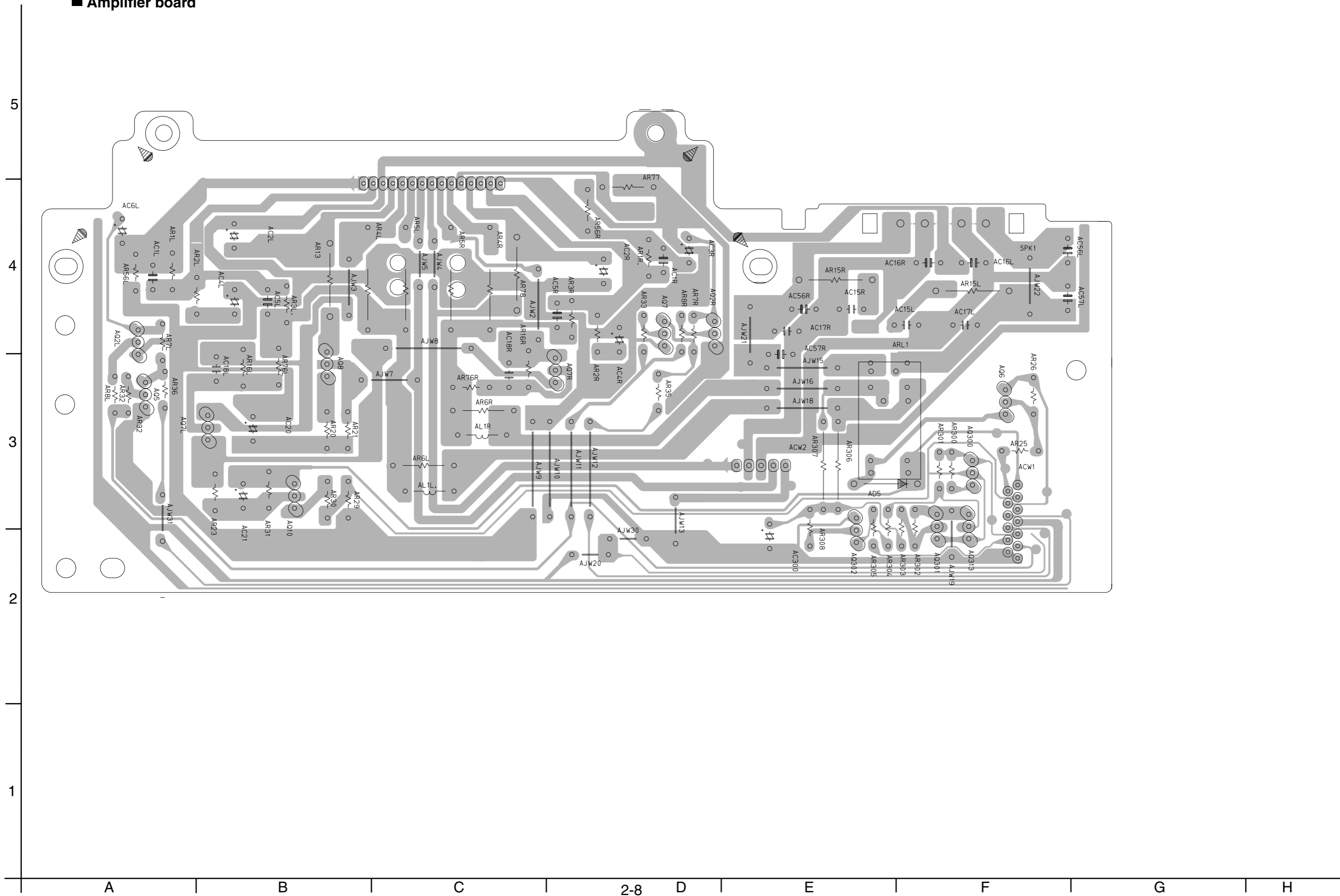
A B C 2-6 D E F G H

Printed circuit boards

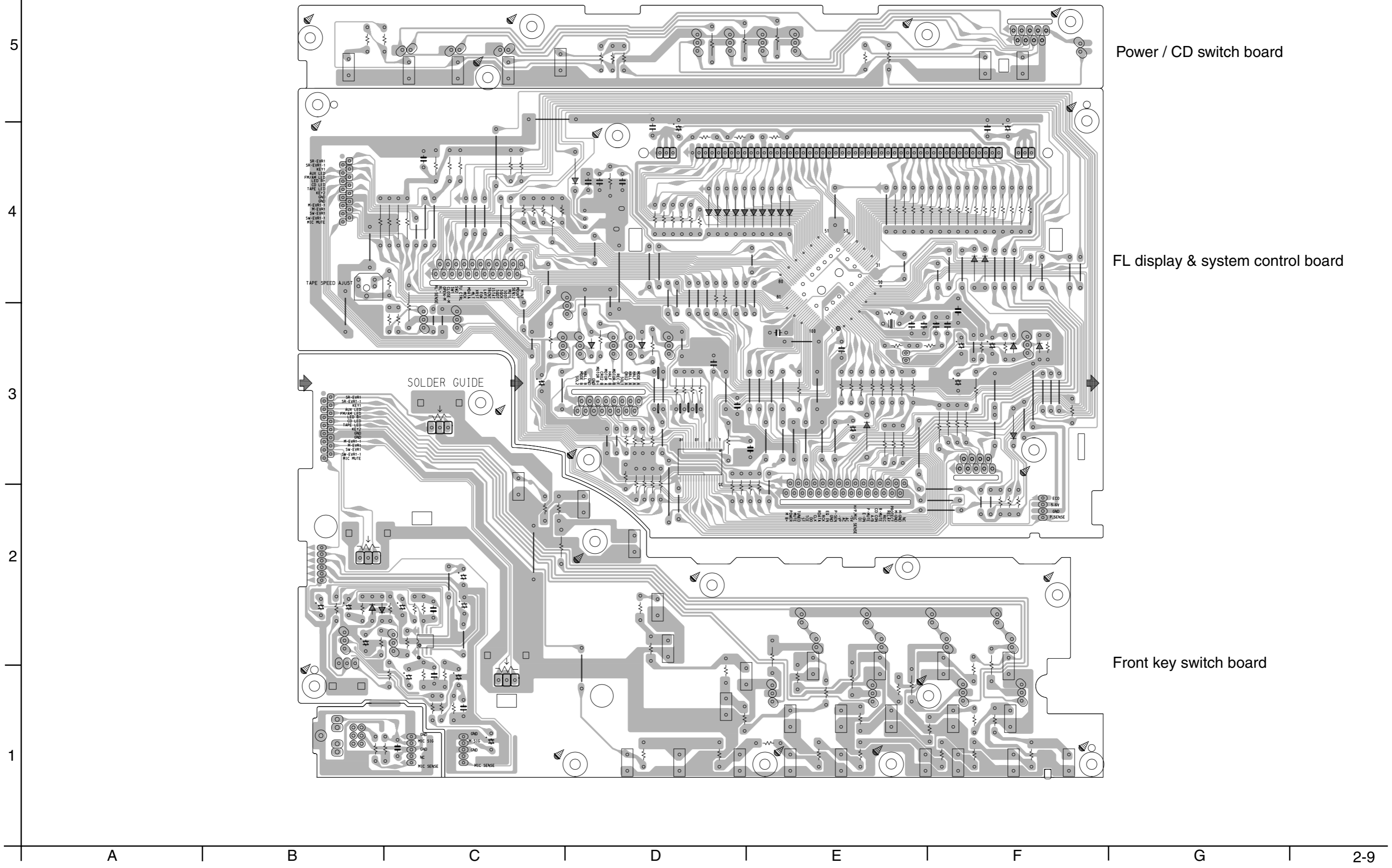
■ Main board



■ Amplifier board



■ Front board



■ CD Servo control board

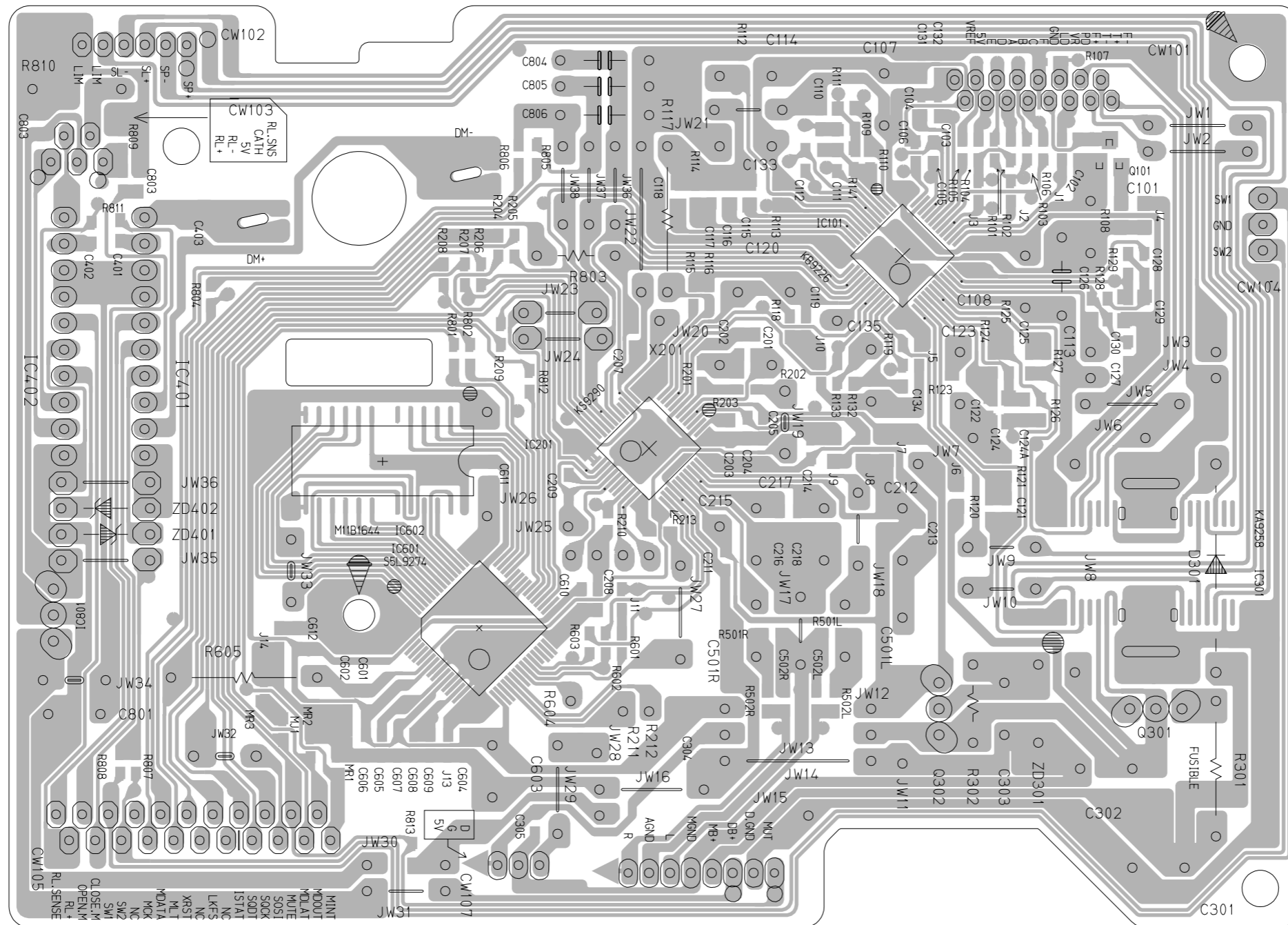
5

4

3

2

1



A

B

C

2-10

D

E

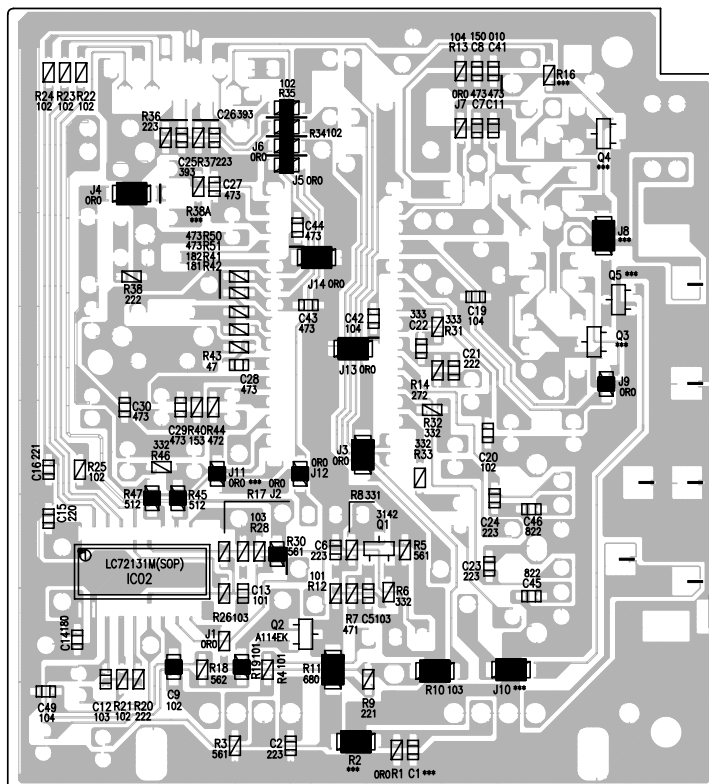
F

G

H

■ Tuner board (Reverse side)

5

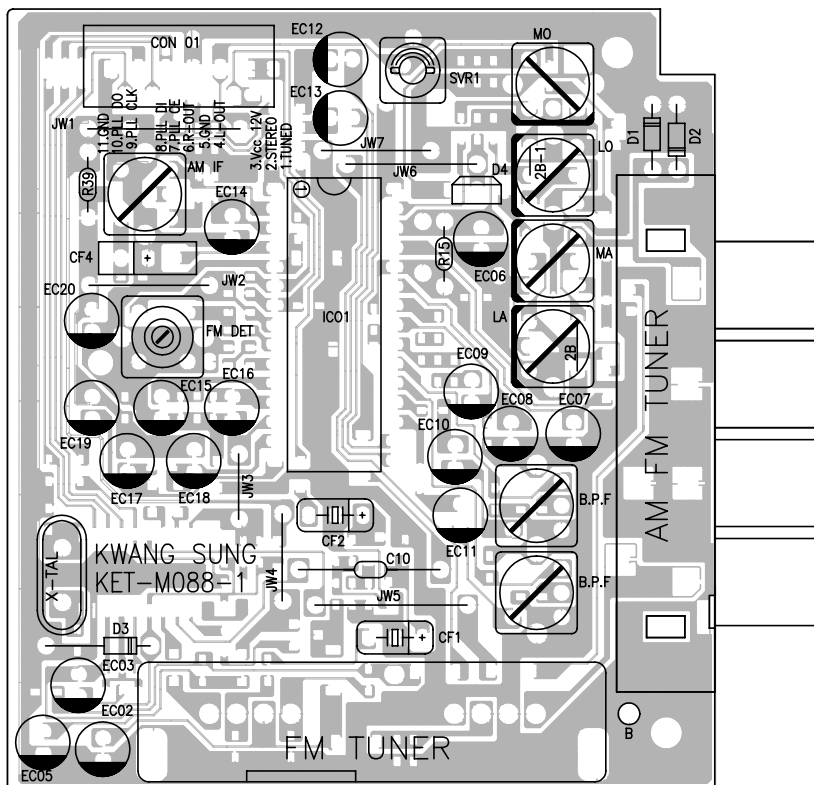


4

3

■ Tuner board (Front side)

2



1

A

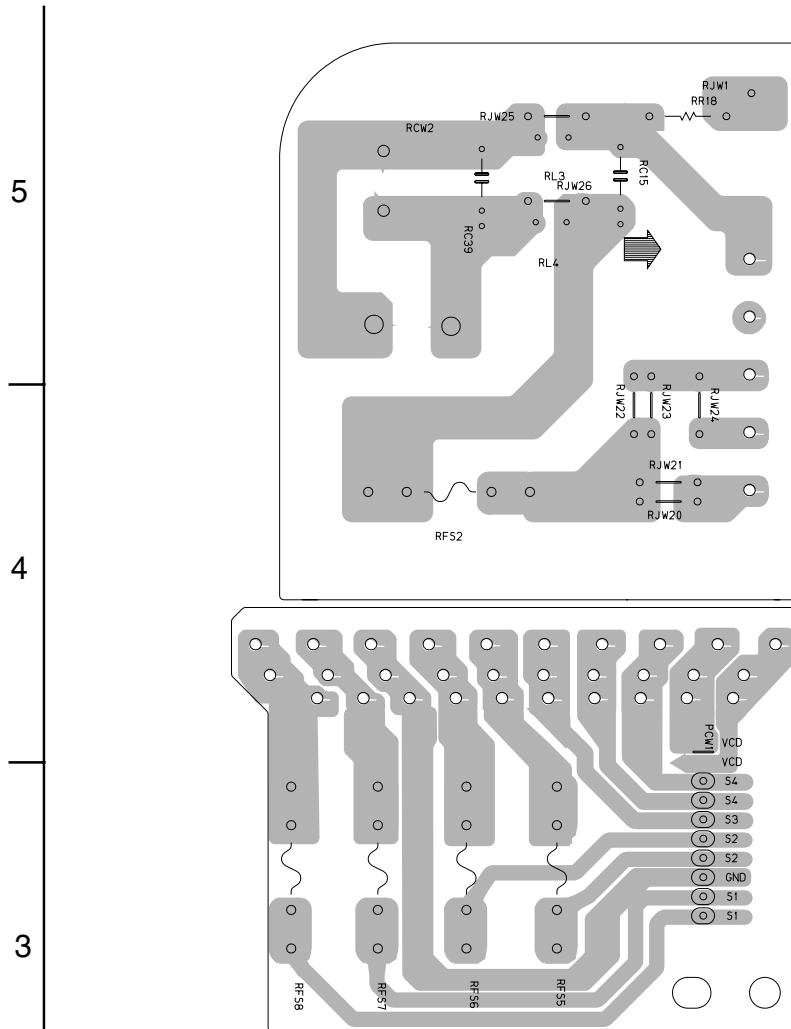
B

C

D

2-11

■ Power transformer board



■ Head phone board

